

SHARP EDGED

SCRAPER

New

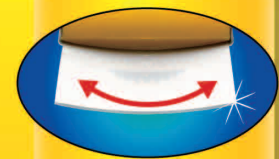


T-45

45mm Multi-Edge Arc Scraper

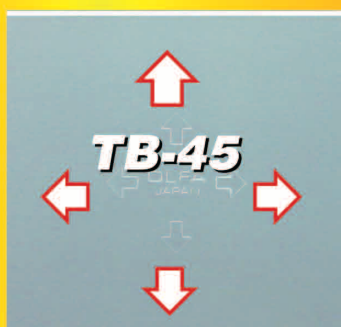
Featuring a 45mm flexible blade, the "T-45" will satisfy its users by providing the best performance for both pin-pointed and wide-ranged scrapings.

The blade "TB-45" can go all 4 directions for diverse scraping works.



45
mm

0.45mm



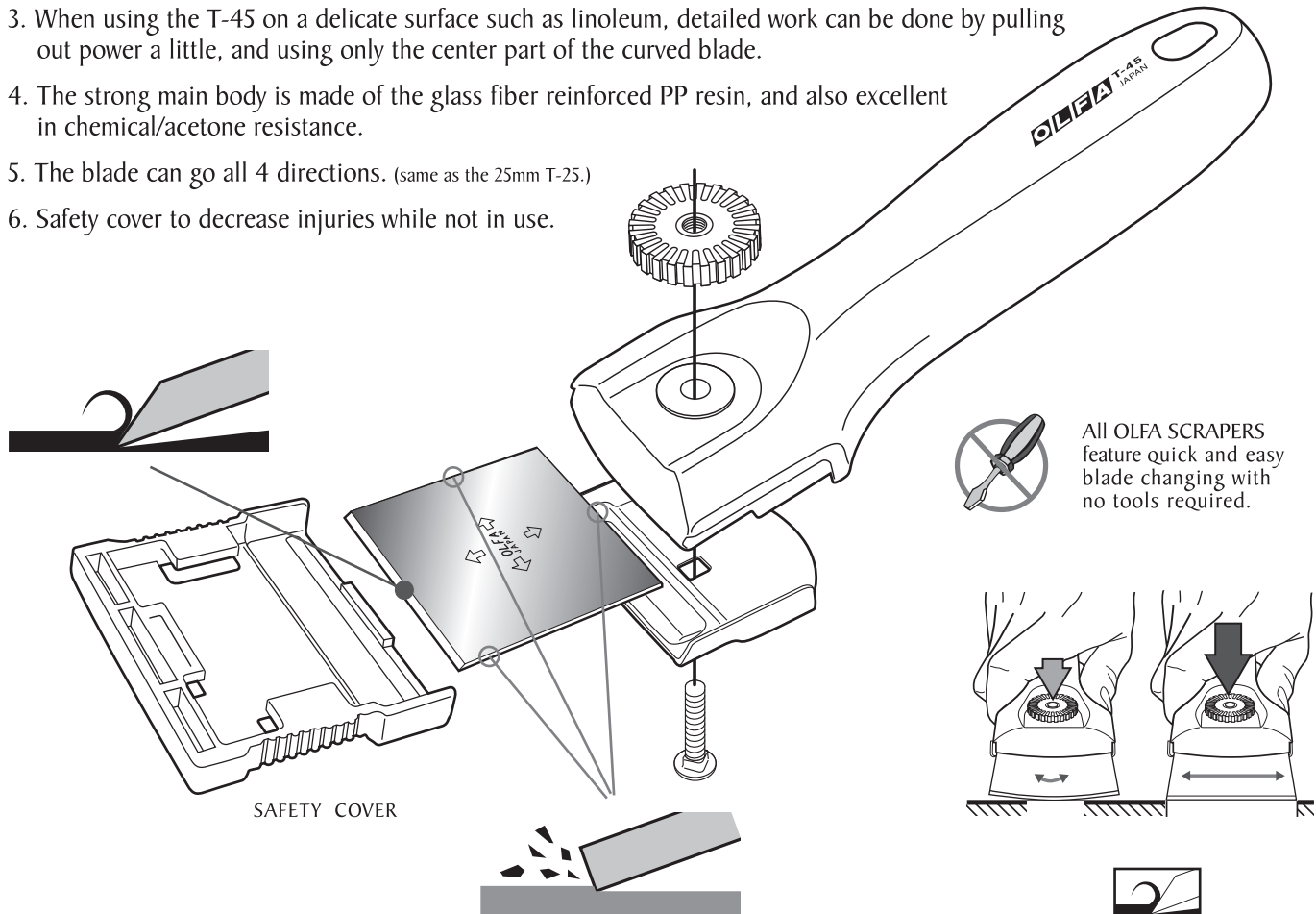
FOR BOTH
RIGHT and LEFT
HANDED USERS

OLFA®
THE ORIGINATOR SINCE 1956

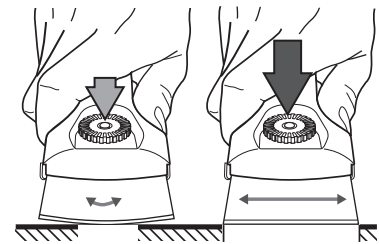
CAT.No.169

"45mm Multi-Edge Arc Scraper"

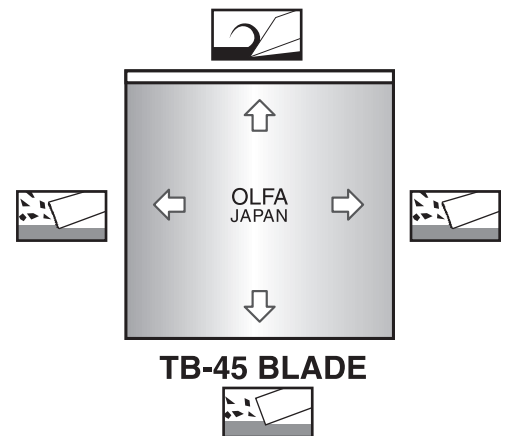
1. By curving a thin blade, the T-45 enhances strength of its blade and delivers wide usages.
2. Use the T-45 for a full width of cutting part, 45mm, when using on a flat hard surface such as glass.
3. When using the T-45 on a delicate surface such as linoleum, detailed work can be done by pulling out power a little, and using only the center part of the curved blade.
4. The strong main body is made of the glass fiber reinforced PP resin, and also excellent in chemical/acetone resistance.
5. The blade can go all 4 directions. (same as the 25mm T-25.)
6. Safety cover to decrease injuries while not in use.



All OLFA SCRAPERS feature quick and easy blade changing with no tools required.



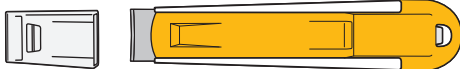
MODEL	PACKAGE	BARCODE	INNER BOX	CARTON
T-45	Blister Packed CARD SIZE : 95x220mm	091511 40091 5	3 pcs. ITF BARCORD 300 9151140091 6	120 pcs. ITF BARCORD 700 9151140091 4
MODEL	PACKAGE	BARCODE	INNER BOX	CARTON
TB-45 (4 blades)	Plastic Bag BAG SIZE : 70x105mm	091511 50133 9	6 pcs. ITF BARCORD 200 9151150133 3	240 pcs. ITF BARCORD 600 9151150133 1



TB-45 BLADE

The Multi-Edge Arc Scrapers

"T-25"



"TB-25"

! WARNING !

1. OLFA BLADES are extremely sharp! Handle with care.
2. Use minimum pressure when scraping.
3. Dispose of used blade in a safe manner.
4. Safety goggles should be worn when using.
5. Keep out of the reach of children.

URL <http://www.olfa.com>